

Two Systems Of Subbase Mounting

Mounting of the subbase is accomplished by either of two systems. First is the DIN Rail method of mounting valves and subbases on a DIN type mounting rail (see Figs. 1 & 2). Second is the Diablo pin connector system of joining subbases without the need for a DIN Rail (see Fig. 3)

1. DIN Rail Installation

First the subbase will slide over the end of the rail to be joined to another base or an end plate (see Fig. 2).

The second method (shown in Fig. 1) is by side mounting over the DIN rail. (1) Apply the subbase over the rail with pressure against the mounting spring. (2) Apply side pressure to compress the mounting spring at the same time fitting the subbase over the side of the rail. (3) Relieve side pressure after fitting the subbase over the rail side and the subbase will be locked into place on the rail.

2. Direct Mounting Installation

Diablo pins are installed in each subbase and end plate (see Fig. 3). Each Diablo pin inserts into a matching hole on the next subbase or end plate and is held in place by a set screw. This method eliminates the need for DIN rail.

Joining Subbases & End Plates

The exploded views (Fig. 2 & 3) show how the valves, bases and end plates are joined together.

Each manifold subbase is equipped with a pressure port and two exhaust ports as well as two outlet ports. Four O-Ring seals between the pressure, exhaust and external pilot ports of each subbase assure a leak tight seal.

Both End Plates have pressure and exhaust ports to allow for applications requiring separate or differing pressures. For different pressure needs within the same manifold, Blanking Discs are provided to block between base sections.

The subbases with valves are held in place on DIN Rail by means of a DIN Rail Lock Plate on each end of the manifold.

When using the Diablo system the Diablo pins and set screws hold the manifold subbases and the end plates together and the lock plate is not necessary.

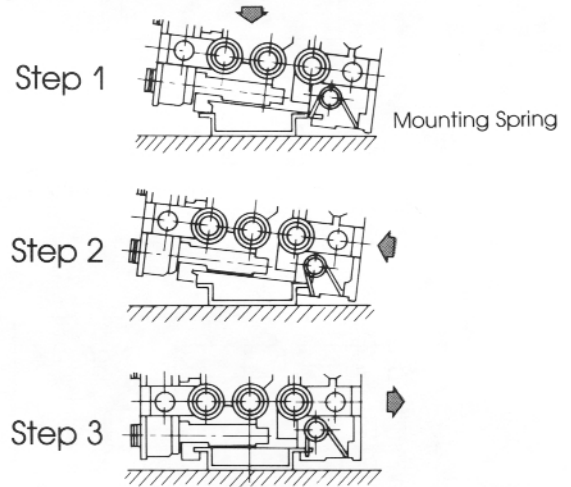
Diablo System Order Information

When ordering Diablo Sets for Manifold Bases use the following order example:

- 6 Valve Example**
- 6 - Valves
- 6 - Manifold Subbases
- 1 - Set of 2 End Plates
- 5 - Diablo Sets for Manifold Bases
- 1 - Diablo Set for End Plates

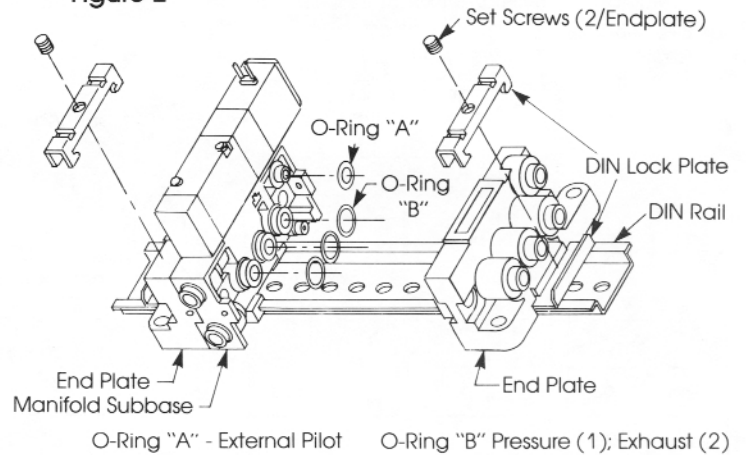
Subbase Mounting on DIN Rail

Figure 1



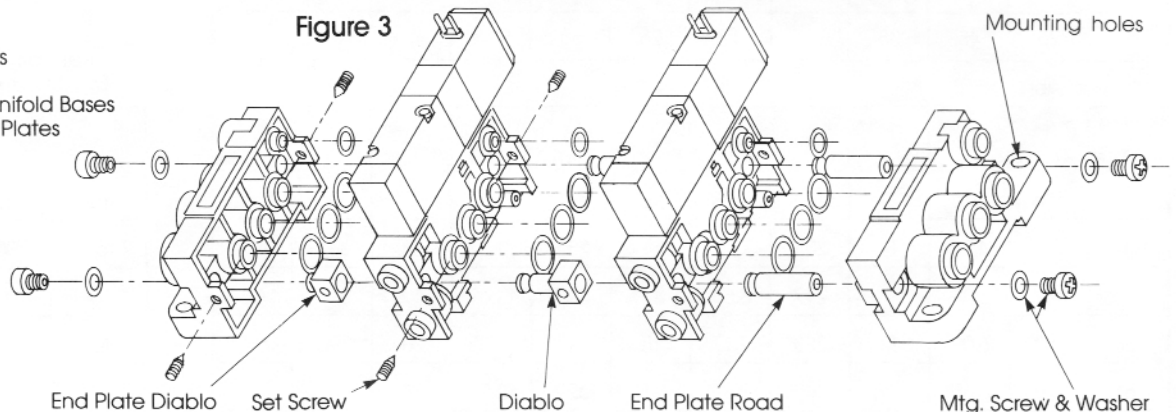
DIN Rail Mounting System

Figure 2



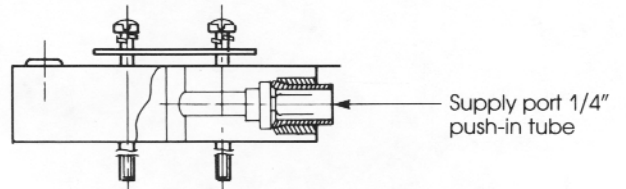
Diablo Mounting System

Figure 3

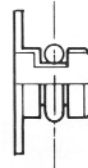


Manifold Subbases and Accessories

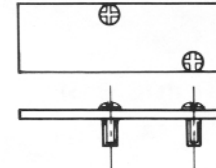
Description	Model Number
Manifold Subbase - 5/32"	GAC-A225A
Manifold Subbase - 1-4"	GAC-A223A
Set of 2 Endplates (includes DIN Lock Plates & Set Screws)	GAC-A222A
Diablo Set for End Plates (includes End Plate Rod, Manifold Diablos, End Plate Diablo, Set Screws, Mtg. Screws and Washers)	GAC-A313A
Diablo Set for Manifold Base (includes Manifold Diablos and Set Screws)	GAC-A312A
DIN Rail (3' Length)	334 00 035
Separate Pressure Plate	GAC-A206A
Blanking Disc (Supply or Exhaust)	GAC-A207A
Blanking Disc (External Pilot)	GAC-A208A
Blanking Plate	GAC-M022A
DIN Lock Plates (includes Upper and Lower Plates and Set Screw)	BR(TZ50)



(1) Separate Pressure Plate



(2) Blanking Disc



(3) Blanking Plate

