

**SERIES 264**

**POPPET VALVE  
air and solenoid piloted  
1/4" NPT**

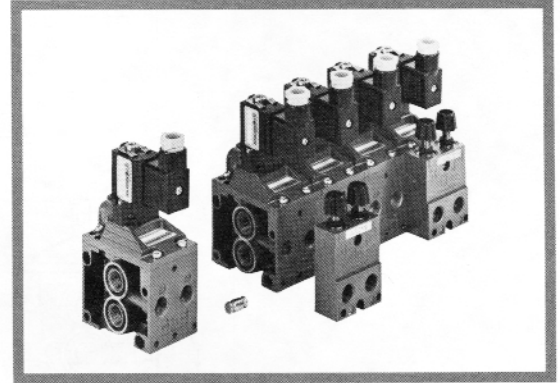
**4 way,  
4 ports,  
2 position**

**Specifications**

Media : Air filtered, lubricated or dry  
 Operating Pressure : 0 to 150 PSI (1)  
 Pilot Pressure : Min 30 PSI  
 Temperature Range : 20°F to 140°F

**Construction**

Body: zinc diecasting  
 Integral parts: brass and Delrin  
 Sealing: Nitrile (NBR)



**Electrical Characteristics**

Pilot	Voltages		Consumption		Response Time	Insulation Class	Electrical Connector
			Inrush	Holding			
Series 189 (UL Recognized Component)	AC	24 V, 48 V, 120 V, 220 V 240 V, 50/60 Hz	6 VA	3.5 VA (2.5 W)	5ms	F	Cable CM8 (PE9) or 1/2" Conduit Plug Rotatable x 180°
	DC	12 V, 24 V, 48 V, 110 V	2.5 W				

**Selection Chart**

1 = Pressure 2,4 = Outlets 3 = Exhaust	Operators		Ports	Orifice	Flow Coefficient CV	Pilot Pressure PSI		Manual Override Locking	Model Numbers	
	14	12				Min	Max		Without Flow Control	With Flow Control
	Solenoid Air Internal or External	Spring	1/4" NPT	.250	1	30	150	Screw	264 00 027 Specify Voltage	264 00 029 Specify Voltage
	Air External	Spring	1/4" NPT	.250	1	30	150	N/A	264 00 023	264 00 025

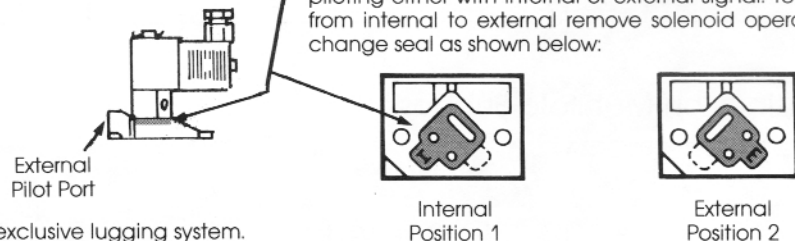
**Accessory Flow Regulator only**

2,4 = Outlets	Ports NPT	Model Number
	1/4"	346 00 129

NOTE: Valves may be joined in manifolds using our exclusive lugging system. Either field or factory assembled. No special tools required. The Series 264 may be piloted with either internal or external pressure. To use with internal pilot remove pilot operator and place seal in position 1 with letter I showing. For external pilot place seal in position 2 with letter E showing. Seal is factory set for internal unless specified external.

**Pilot Selector Seal**

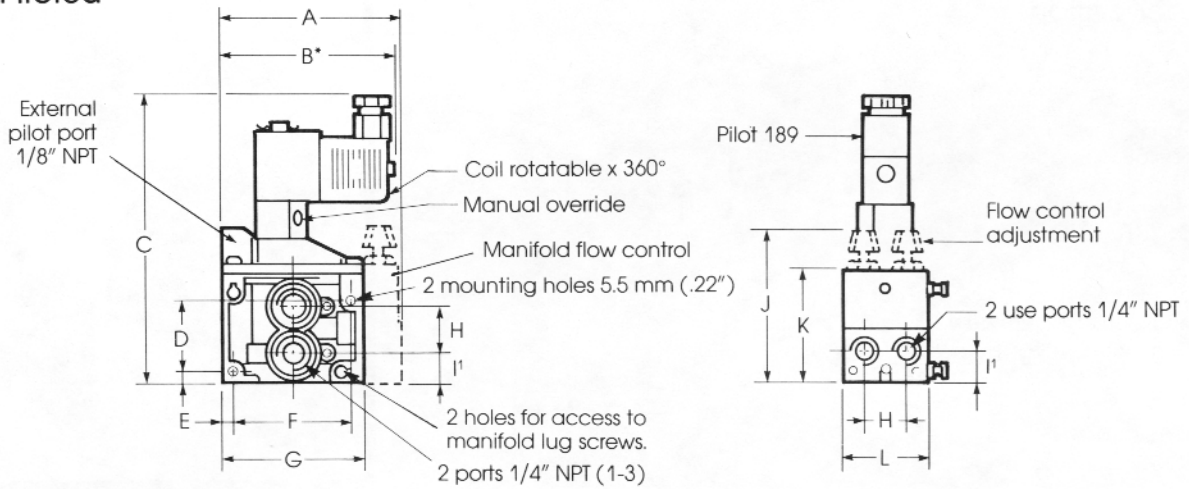
The Solenoid operator is equipped with a selector seal between the solenoid and valve body. This seal allows for piloting either with internal or external signal. To change from internal to external remove solenoid operator and change seal as shown below:



The selector seal is marked I for internal pilot and E for external. As standard the solenoid version is supplied with the seal set for internal pilot pressure.

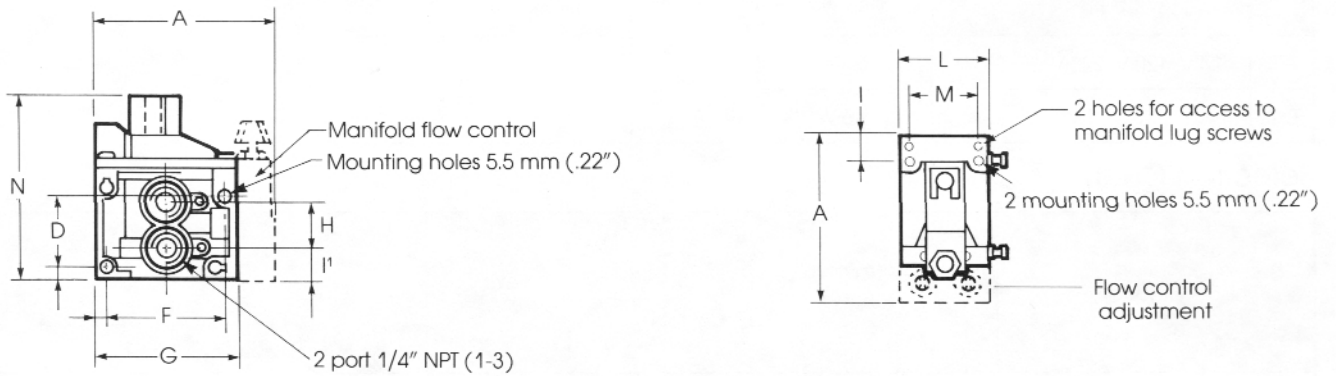
(1) External supply enables these valves to be used with media pressures 15 to 150 PSI.

**Solenoid Piloted**



\* +15 mm (.59") for plug removal

**Air Piloted**



**Dimensions on Air and Solenoid Piloted Valve**

	A	B	C	D	E	F	G	H	I	h	J	K	L	M	N
inch	3.54	3.15	5.43	1.34	.20	2.28	2.68	.91	.51	.63	3.31	2.36	1.77	1.42	2.56
mm	90	80	138	34	5	58	68	23	13	16	84	60	45	36	65

**Dimensions on Manifold Subbase**

		Number of Subbases						
		2	3	4	5	6	7	8
X	inch	3.54	5.31	7.09	8.86	10.63	12.40	14.17
	mm	90	135	180	225	270	315	360
Y	inch	3.19	4.96	6.73	8.50	10.28	12.05	13.82
	mm	81	126	171	216	261	306	351

**Manifolding Detail**

