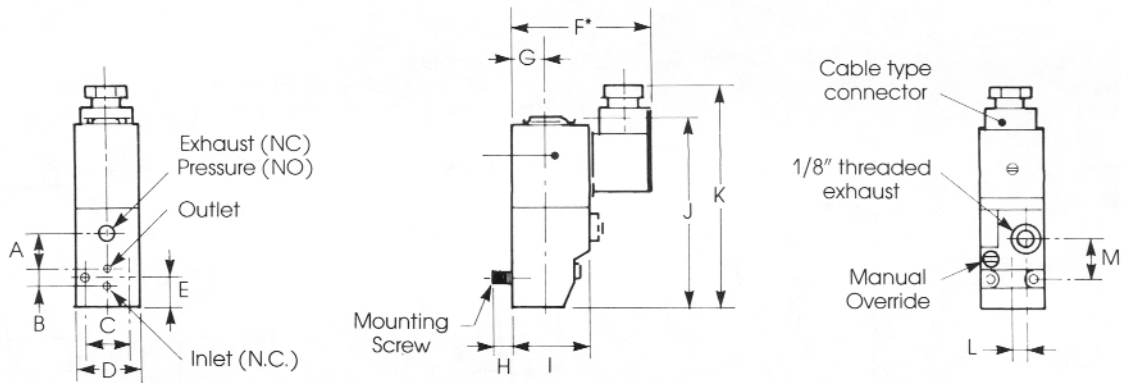


Solenoid Valve

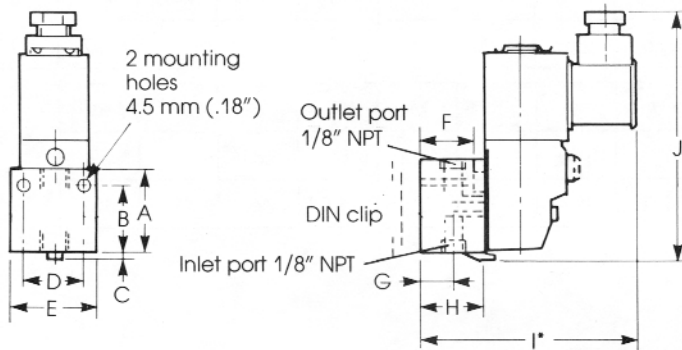


Dimensions on Solenoid Valve

	A	B	C	D	E	F	G	H	I	J	K	L	M
inch	.67	.30	.83	1.18	.59	2.80	.61	.28	1.44	3.58	4.13	.26	.79
mm	17	7.5	21	30	15	71	15.5	7	36.5	91	105	6.5	20

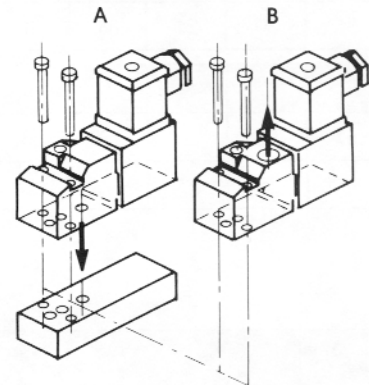
* +15 mm (.59") for plug removal

Valve on Single 1/8" NPT Base NC Version Only



Port 3 Options For 1/4" Subbase

"A" Exhaust to subbase
 "B" Exhaust to Atmosphere

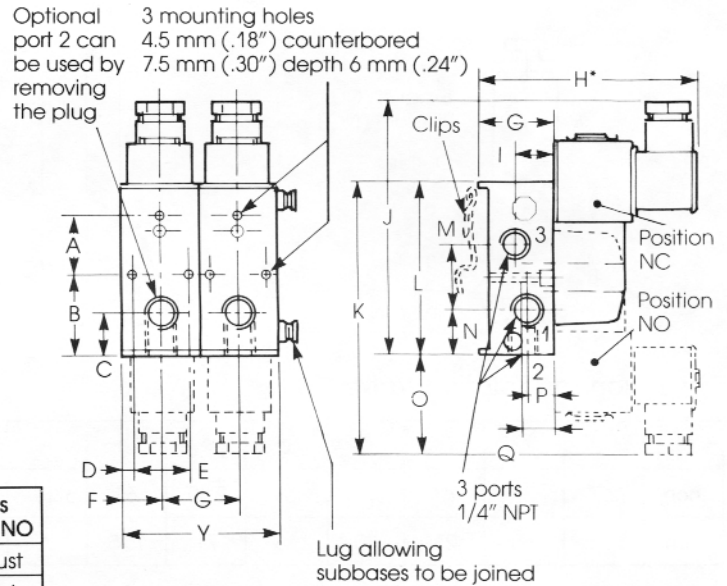
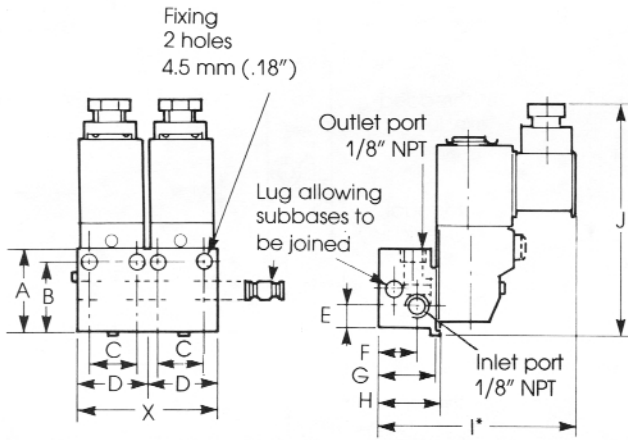


Dimensions on Single Base

	A	B	C	D	E	F	G	H	I	J
inch	1.18	.89	.04	.91	1.22	.65	.39	.79	3.78	4.13
mm	30	22.5	1	23	31	16.5	10	20	96	105

Valve on Manifold 1/8" NPT Base
 Normally closed only 2 ports tapped 1/8" NPT

Valve on Manifold 1/4" NPT Base
 Normally closed or open 3 ports tapped 1/4" NPT



	Ports NC or NO
3	Exhaust
2	Outlet
1	Pressure

* +15 mm (.59") for plug removal

Dimensions on Manifold 1/8" NPT Base

Dimensions on Manifold 1/4" Bases

	A	B	C	D	E
inch	1.42	1.18	.83	1.22	.39
mm	36	30	21	31	10

	A	B	C	D	E	F	G	H	I
inch	1.10	1.50	.77	.20	1.02	.71	1.42	4.21	.67
mm	28	38	19.5	5	26	18	36	107	17

	F	G	H	I	J
inch	.67	.98	1.06	3.78	4.33
mm	17	25	27	96	110

	J	K	L	M	N	O	P	Q
inch	4.80	5.00	3.19	1.22	.85	1.81	.47	.59
mm	122	127	81	31	21.5	46	12	15

		Number of Subbases						
		2	3	4	5	6	7	8
X	inch	2.44	3.66	4.88	6.10	7.32	8.54	9.76
	mm	62	93	124	155	186	217	248
Y	inch	2.83	4.25	5.67	7.09	8.50	9.93	11.35
	mm	72	108	144	180	216	252	288
Weight in lbs. Solenoid & Base	1/8"	1.58	2.38	3.17	3.96	4.75	5.54	6.34
	1/4"	1.89	2.84	3.78	4.73	5.68	6.62	7.57

Manifold subbase includes seal and joining lug