

Subbases

Description		Make-up	Model Numbers
Assembly of 2 to 10 manifold subbases	One manifold subbase		361 00 004
	Kit of 2 subbases, manifold ends, pressure to right 1/8"		361 00 029
	Kit of 2 subbases manifold ends pressure 1/8" to right and/or left		361 00 035 *

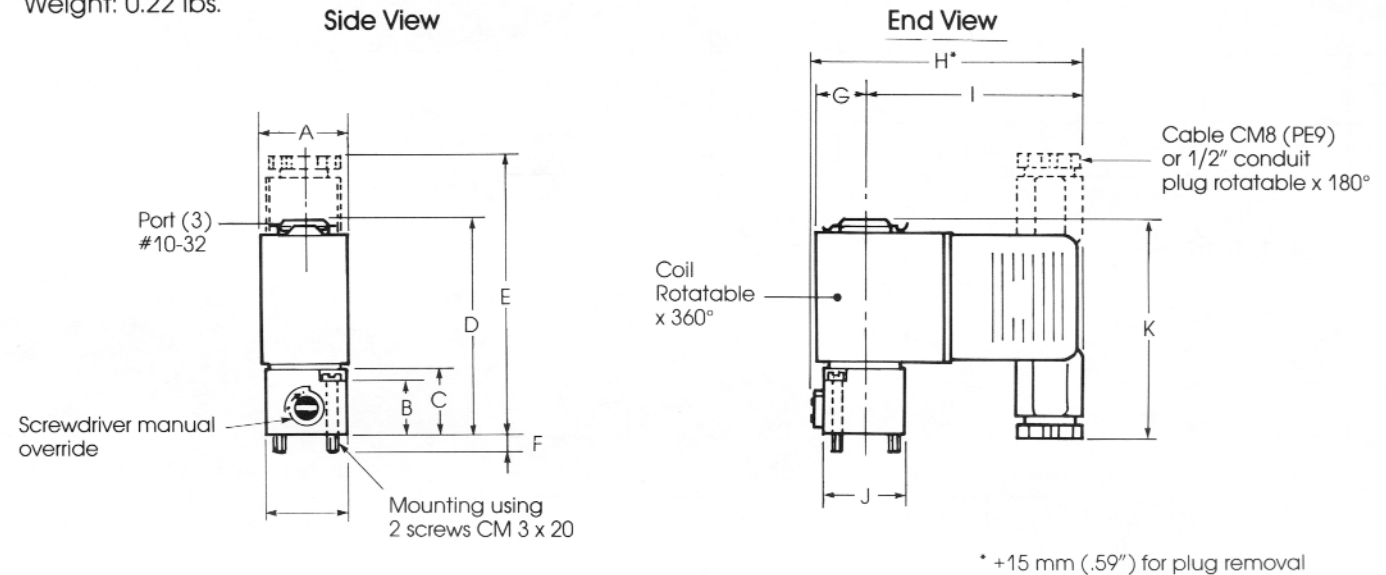
Max. No. of Series 109 valves that can operate simultaneously
 .04 orifice → 10 valves .06 orifice → 5 valves 0.1 orifice → 3 valves
 * Used for two different pressures. Blanking plug included
 These subbases can be mounted on DIN Rail (#334 00 0033) using (2) DIN Clips (#334 00 036 for 10)

Ordering Example:

- Series 361 Subbase Ordering Example (5 Station Manifold Assembly)
- (5) Model #109 00 040 12VDC Valves
 - (3) Model #361 00 004 Manifold Subbases
 - either (1) Model #361 00 004 Manifold Subbases
 Kit of 2 subbases and Manifold Ends

Valve Only

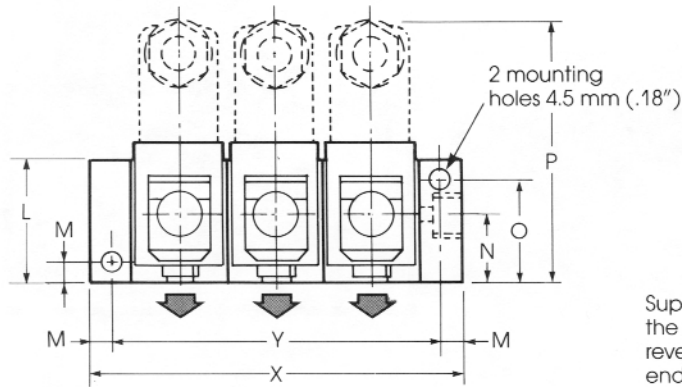
Weight: 0.22 lbs.



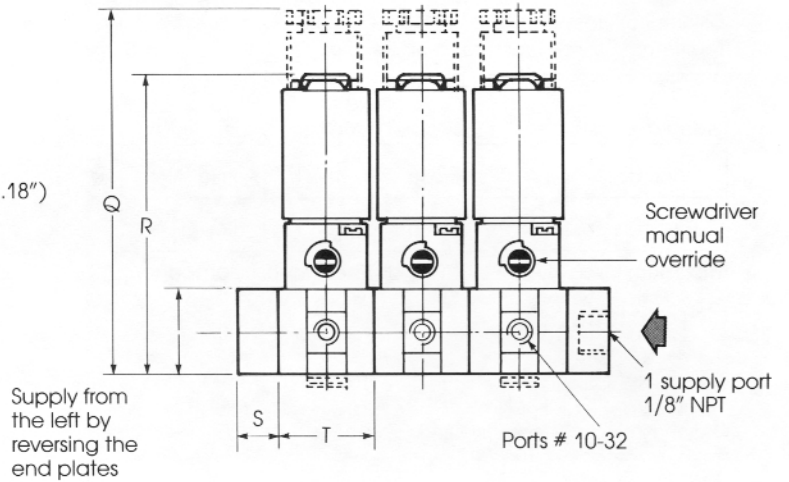
Dimensions

	A	B	C	D	E	F	G	H	I	J	K
inch	.87	.51	.63	1.97	2.64	.28	.43	2.48	1.89	.79	2.17
mm	22	13	16	50	67	7	11	63	48	20	55

Valve on Manifold Subbase
Top View



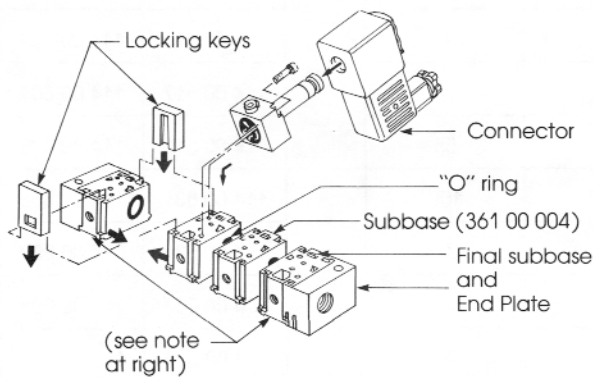
Side View



Dimensions

	L	M	N	O	P	Q	R	S	T
inch	1.30	.20	.51	.98	2.68	3.43	2.75	.39	.91
mm	33	5	13	25	68	87	70	10	23

Sequence of Assembly



Dimensions and Weights

		Number of Subbases					
		1	2	3	4	5	6
X	inch	1.93	2.84	3.74	4.65	5.35	6.46
	mm	49	72	95	118	141	164
Y	inch	1.30	2.20	3.11	4.00	4.93	5.83
	mm	33	56	79	102	125	148
Wt. lbs		.32	.64	.96	1.28	1.60	1.92

Ordering Example:

- 5 Station Manifold
- (5) Model #109 00 040 Valves
- (3) Model #361 00 004 Subbases
- (1) of either Model #361 00 029 or Model #361 00 035 consisting of:
 - 2 subbases
 - 2 Manifold Ends